

FLOOR STANDING BOILER



1R - 2R



Sime: high quality in terms of heat

Sime boilers stand out for their safety, long life, energy saving and performance reliability.

Each seal is subjected to stringent laboratory testing to guarantee the product's superior performance.

1R OF and 2R OF are a complete range of high efficiency, cast-iron boilers for heating only, compatible with all the most common gas and light-oil forced-draught burners. The 1R OF range comprises four models with outputs from 64,8 to 93,3 kW, while 2R OF comprises ten models with outputs from 100,6 to 266,9 kW.



Control panel simplicity

With a single button, the boiler manages all its operating phases automatically: just one touch of the switch is enough for the boiler to run automatically when heating is required. Temperature is regulated by adjusting the heat control. For maximum operational safety, controls are protected by a shield against accidental use.



List of operation/tools

- | | |
|---------------------------|--------------------------|
| 1 Safety thermostat | 4 C.H. thermostat |
| 2 Thermometer | 5 On/off switch |
| 3 Presence of voltage LED | 6 RVA 43 controller slot |

Safe installation, prolonged efficiency

Cast iron is an alloy whose properties remain unchanged over time.

It is the synonym for reliability, wear resistance and ease of maintenance.

The conformation of the elements permits excellent combustion, which reduces emission of harmful gases into the environment.

This is the result of Sime's years of consolidated experience in designing cast iron heat exchangers. The combustion chamber's excellent insulation

reduces both radiation losses and operating noise. Suitable burner adjustment allows the chamber's heat output to be varied, adapting it to the system's requirements and optimising overall efficiency.

A saving is also seen with the ease of cleaning and maintenance operations, facilitated by the combustion chamber's reversible door hinge.

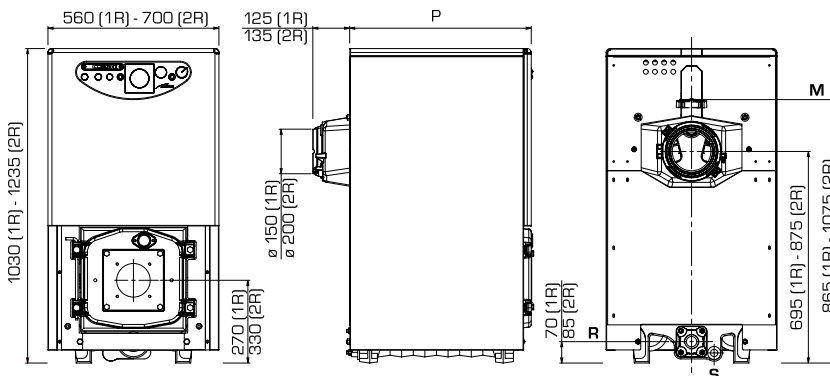
The 1R OF and 2R OF boiler range is delivered in three pieces (cast iron body, casing and control panel) to further facilitate transport and installation.

TECHNICAL DATA

1R OF		6	7	8	9
Heat output	kW	64,8	74,0	84,0	93,3
	kcal/h	55.700	63.600	72.200	80.200
Heat input	kW	73,4	83,1	93,8	103,4
	kcal/h	63.100	71.500	80.700	88.900
Efficiency rating at nominal heat input	%	88,4	89,0	89,6	90,2
Efficiency rating at 30% of nom. heat input	%	89,6	90,0	90,5	90,9
Cast iron sections	n°	6	7	8	9
Water content	l	37,5	42,0	46,5	51,0
Maximum working pressure	bar	4	4	4	4
Smokes head losses	mbar	0,20	0,16	0,22	0,30
Water head losses (Δt 10°C)	mbar	30,0	34,0	40,0	45,5
P (depth)	mm	595	670	750	825
Weight	kg	261	293	325	357

2R OF		6	7	8	9	10	11	12	13	14	15
Heat output	kW	100,6	123,8	147,1	165,1	179,7	197,7	213,4	230,2	248,8	266,9
	kcal/h	86.500	106.500	126.500	142.000	154.500	170.000	183.500	198.000	214.000	229.500
Heat input	kW	113,5	139,1	164,7	184,1	199,7	219,7	237,1	255,8	276,4	296,7
	kcal/h	97.600	119.600	141.600	158.300	171.700	188.900	203.900	220.000	237.700	255.200
Efficiency rating at nominal heat input	%	88,6	89,0	89,3	89,7	90,0	90,0	90,0	90,0	90,0	89,9
Efficiency rating at 30% of nom. heat input	%	90,0	90,2	90,5	90,7	90,9	90,9	90,9	91,0	91,0	91,0
Cast iron sections	n°	6	7	8	9	10	11	12	13	14	15
Water content	l	92	107	122	136	151	165	180	194	209	223
Maximum working pressure	bar	5	5	5	5	5	5	5	5	5	5
Smokes head losses	mbar	0,10	0,15	0,22	0,29	0,24	0,37	0,39	0,42	0,49	0,50
Water head losses (Δt 10°C)	mbar	61,0	76,0	85,0	92,0	100,0	112,0	118,0	121,0	125,0	130,0
P (depth)	mm	735	835	935	1.035	1.135	1.235	1.335	1.435	1.535	1.635
Weight	kg	462	520	578	636	676	734	792	850	908	966

Dimensional details



Hydraulic connectios		1R OF	2R OF
M	C.H. flow	1 1/2"	2"
R	C.H. return	1 1/2"	2"
S	Boiler discharge	3/4"	3/4"

Technical features and safety devices

	1R OF	2R OF		1R OF	2R OF	
Main switch	✓	✓	Ready for fitting of the room stat	✓	✓	
Boiler thermostat	✓	✓		Reversible combustion chamber door	✓	✓
Thermometer	✓	✓		Safety thermostat	✓	✓
Hidrometer	✓	✓				