

# Product advantages

## INTEGRATED UNITS

- › Different solutions for the management of domestic water
- › Preset burner for easy installation and casing acoustically insulated
- › Stainless steel post-condenser in condensing HE models

## CAST IRON BOILERS

- › Combustion chamber according to DIN for pairing with the most popular burners on the market
- › Cast iron body with three-pass
- › Combustion chamber door with reversible hinge
- › Stainless steel post-condenser in condensing HE models

## Cast iron boiler block

Keeping with its tradition of high efficient and high quality cast iron, an alloy that keeps its outstanding performances without deterioration, Sime's cast iron actually means quality and reliability.

Our cast iron leads to massive energy savings, thanks to its unparalleled thermal inertia. Our design of the sections permits excellent

combustion, which reduces emission of harmful gases into the environment. This is the result of Sime's years of consolidated experience in designing cast iron heat exchangers.

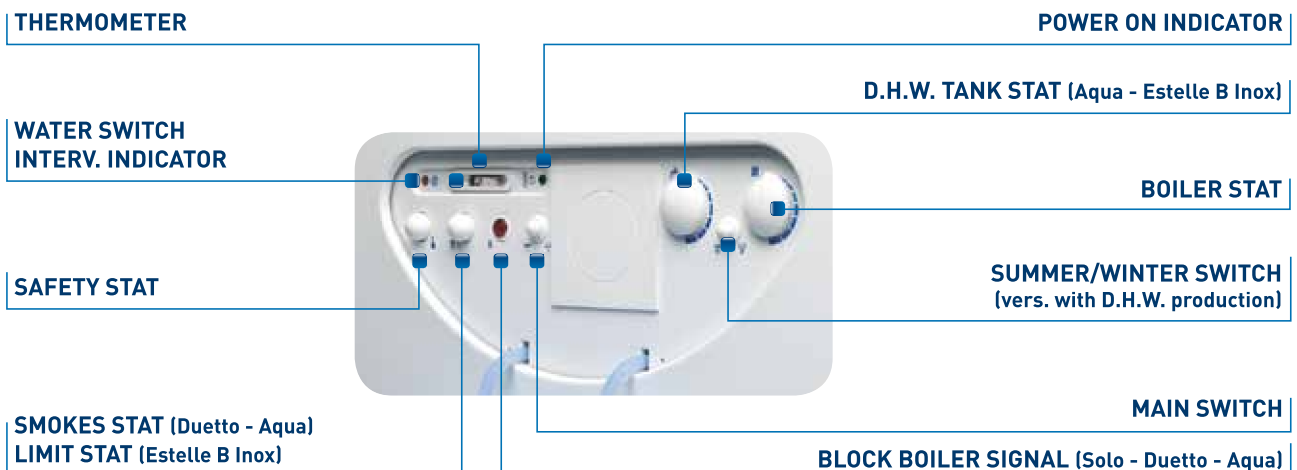
Cast iron boiler block



## Control panel simplicity

Sime integrated units and oil fired boilers are easy to use and have a design that allows them to be integrated into homes. The control panels are designed

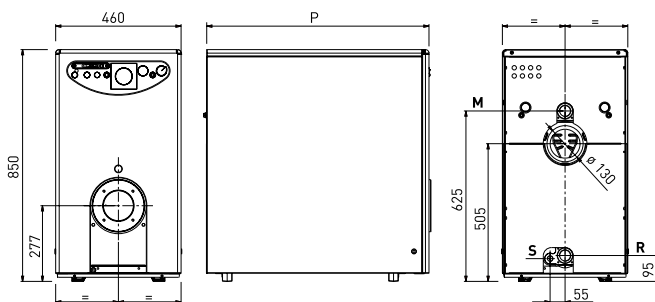
to enter the timer and protected by a flap against accidental tampering. The generators are easy to install and require minimum maintenance.



## Rondò - Estelle ErP - Estelle B Inox ErP

		RONDÒ - ESTELLE ErP					
MODEL		4	5	6	7	B4 Inox	B5 Inox
Nominal heat output	kW	25,2	32,7	44,5	52,0	25,3	32,7
Nominal heat input	kW	27,0	34,8	46,1	55,0	27,0	34,8
Heating energy efficiency	%	87	87	90	90	86	86
D.H.W. energy efficiency	%	-	-	-	-	67	60
Central heating energy efficiency class		B	B	B	B	B	B
Domestic hot water energy efficiency class		-	-	-	-	B	B
D.H.W. load profile declared		-	-	-	-	XL	XL
Elements	n°	4	5	6	7	4	5
Water content	l	16,8	20,8	24,8	28,8	24,5	30,5
Maximum water head	bar	4	4	4	4	4	4
Loss of head smoke	mbar	0,16	0,21	0,26	0,31	0,16	0,21
Heating adjustment range	°C	30÷85	30÷85	30÷85	30÷85	30÷85	30÷85
D.H.W. adjustment range	°C	-	-	-	-	30÷60	30÷60
D.H.W. tank water content	l	-	-	-	-	110	110
D.H.W. flow rate (EN 13203)	l/min	-	-	-	-	21	21
Depth (P)	mm	515	615	715	815	728	728
Weight	kg	135	161	186	212	220	247

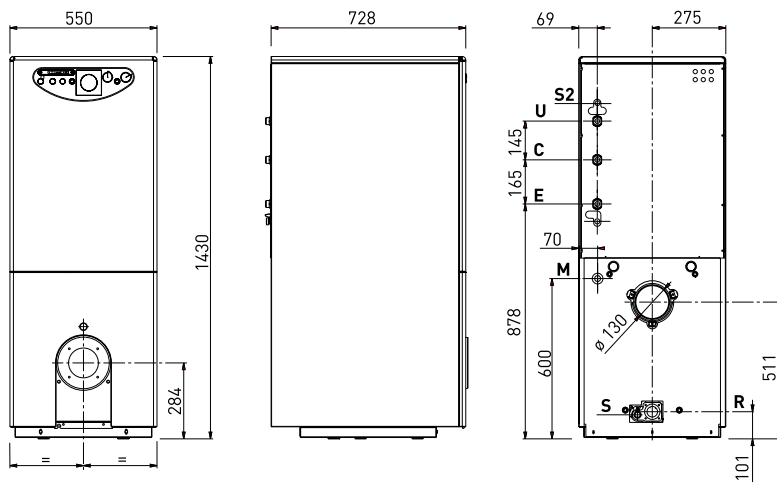
### Rondò - Estelle ErP



#### Hydraulic connections

<b>M</b>	C.H. flow	1 1/4"
<b>R</b>	C.H. return	1 1/4"
<b>S</b>	Boiler drain	1/2"

### Estelle B Inox ErP



#### Hydraulic connections

<b>M</b>	C.H. flow	1"
<b>R</b>	C.H. return	1 1/4"
<b>E</b>	D.H.W. inlet	3/4"
<b>U</b>	D.H.W. outlet	3/4"
<b>C</b>	Recirculation	3/4"
<b>S</b>	Boiler drain	
<b>S2</b>	D.H.W. tank safety valve drain	