



Solida EV

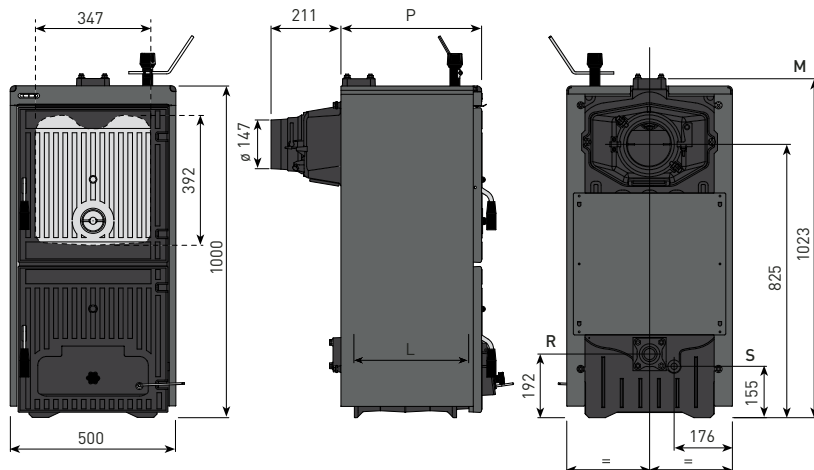
		SOLIDA EV				
Model		3	4	5	6	7
Thermal power (coal)*	kW	23,0	34,0	45,0	56,0	67,0
Elements in cast iron	n°	3	4	5	6	7
Duration of a load (coal)	h	≥ 4	≥ 4	≥ 4	≥ 4	≥ 4
Duration of a load (wood)	h	≥ 2	≥ 2	≥ 2	≥ 2	≥ 2
Load volume	dm ³	42,7	66,4	90,2	113,9	137,7
Minimum depression to the fireplace	mbar	0,08	0,10	0,12	0,13	0,15
Maximum operating pressure	bar	4	4	4	4	4
Testing pressure	bar	6	6	6	6	6
Maximum operating temperature	°C	95	95	95	95	95
Minimum temperature of system return water	°C	50	50	50	50	50
Water content	l	30	39	48	57	66
P (depth)	mm	425	575	725	875	1025
L (depth of combustion chamber)	mm	346	496	646	796	946
Weight	kg	226	288	350	412	474

* For operation with hard wood (birch - oak - olive) the thermal power is reduced by about 10%

Technical specifications with Solida EV conversion kit from class 1 to class 3 according to EN 303-5/2012

Boiler conversion kit from class 1 to class 3 (EN 303-5)	cod.	8075990	8075991	8075992	8075993	8075994
Thermal power (wood)	kW	8,4	13,7	19,0	23,5	28,0
Thermal capacity (wood)	kW	11,0	17,5	24,0	29,5	35,0
Duration of a load (wood)	h	≥ 2	≥ 2	≥ 2	≥ 2	≥ 2
Load volume	dm ³	37,5	58,3	79,2	100,0	120,9
Minimum depression to the fireplace	mbar	0,20	0,20	0,20	0,20	0,20

Solida EV



Hydraulic connections

M	System flow	2"
R	System return	2"
S	Boiler drain	1/2"